

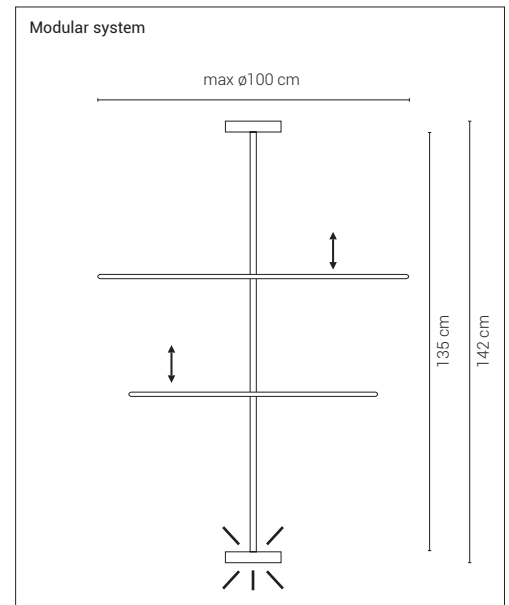
Feel

Sara Moroni
2018

Modular suspension with metal structure in three sizes available graphite, gold and pink gold matt finishes. Sound-absorbing fabric discs are available in three diameters with the following colors: bordeaux, dark blue, petroleum, brick, sand, light grey, dark green. Discs are also available as a single decorative element, without light.



Mounting	Suspension
Environment	Indoor
Materials	Metal and sound-proofing fabric
Voltage	230V 50/60Hz
Source	2x 13W LED - 3000K
Lumen	2x 1300lm
Dimming	NA



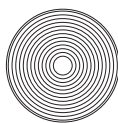
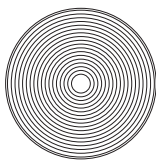
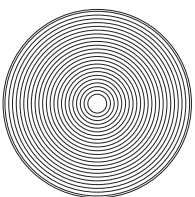
Feel elements

Fabric discs

\varnothing 100 cm

\varnothing 80 cm

\varnothing 60 cm



Large 1831-93

Medium 1831-92

Small 1831-91

Stems

18 cm

142 cm

Large 1831-23

18 cm

97 cm

Medium 1831-22

18 cm

52 cm

Small 1831-21

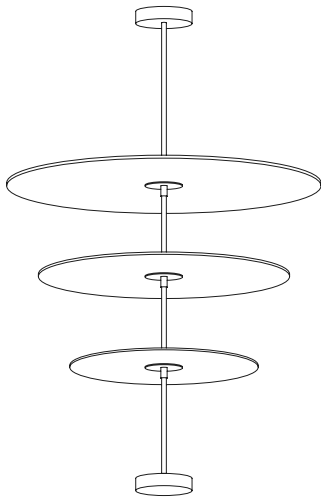
Certification



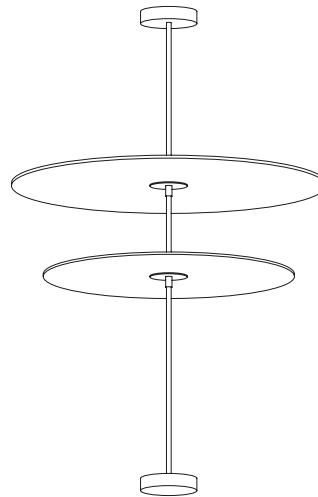
Feel

Sara Moroni
2018

Large 1831-23

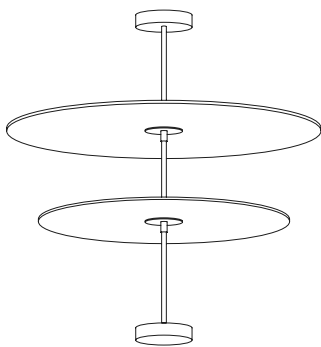


Large 1831-93
Medium 1831-92
Small 1831-91

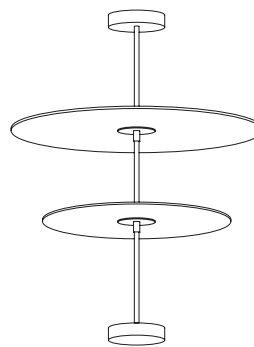


Large 1831-93
Medium 1831-92

Medium 1831-22

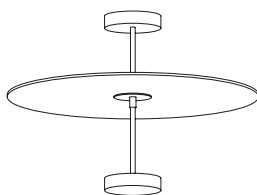


Large 1831-93
Medium 1831-92

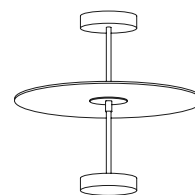


Medium 1831-92
Small 1831-91

Small 1831-21



Medium 1831-92



Small 1831-91

Feel

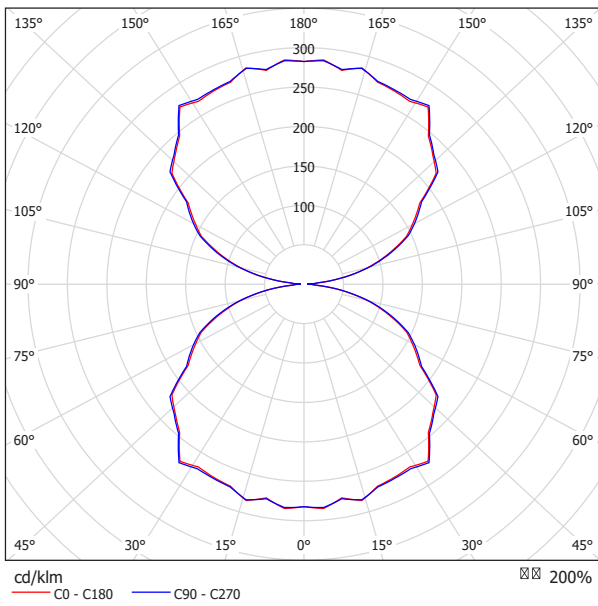
Sara Moroni
2018

Fabrics of Pugi RG

Gemma Vel
100% Polyester FR



Metal Finishes



Certification

